

LTECH

DALI to Triac/ELV Module

Model: KDT



Manual

www.ltech-led.com

Product Introduction

- DALI to Triac/ELV protocol: Seamless expansion to meet diverse lighting control requirements.
- It adopts the latest DALI-2 interface and fully supports DALI DT6 devices to ensure compatibility with the latest technology.
- Supports DALI control and PUSH DIM switch control, providing users with a more flexible operation experience.
- A short press can control the load switch, and a long press can adjust the brightness. The operation is simple and intuitive.
- Support setting the dimming output signal via NFC, and you can choose either the leading edge Triac or the trailing edge ELV output.
- Support configuring DALI addresses and setting the minimum brightness value of the load via NFC.
- Compact size, multi-specification compatibility: Compatible with European, American and Chinese standard base boxes, flexible installation, suitable for various scenarios.

Technical Specs

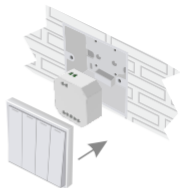
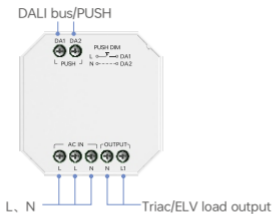
Model	KDT
Interface protocols	DALI-2 DT6
Operating voltage	100-240V~,50/60Hz
Input signal	DALI
Output signal	Triac/ELV
Load parameters	Incandescent lamps or high-pressure halogen lamps: Max.400W@220Vac, Max.200W@110Vac. Dimmable LEDs: Max.200W@220Vac, Max.100W@110Vac
Load inrush current	Max.60A
Working temperature	-25°C~50°C
Product size	L45×W45.5×H20.5(mm)
Product weight	30g



RoHS



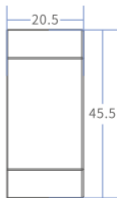
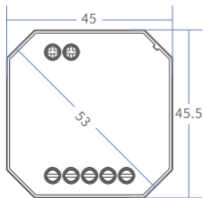
Product Illustration



Put the product into the junction box

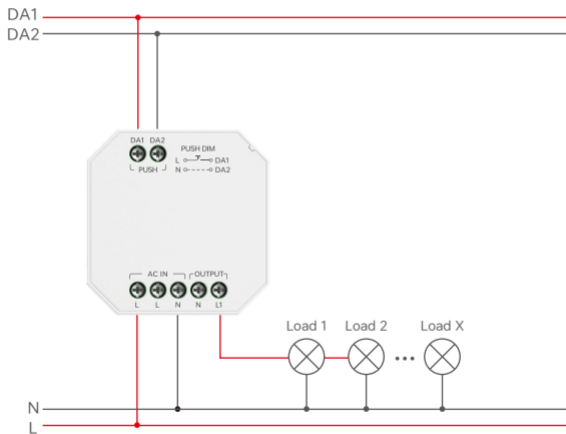
Product Size

Unit: mm

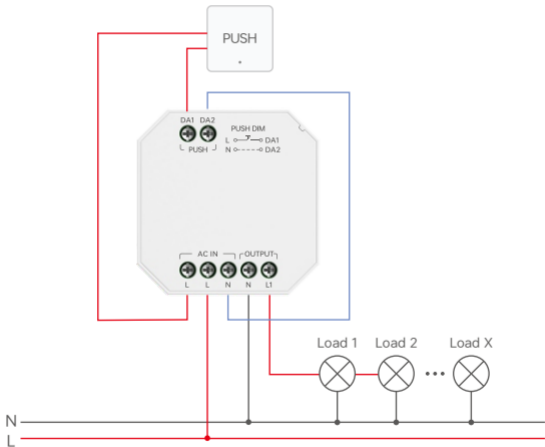


Wiring Diagram

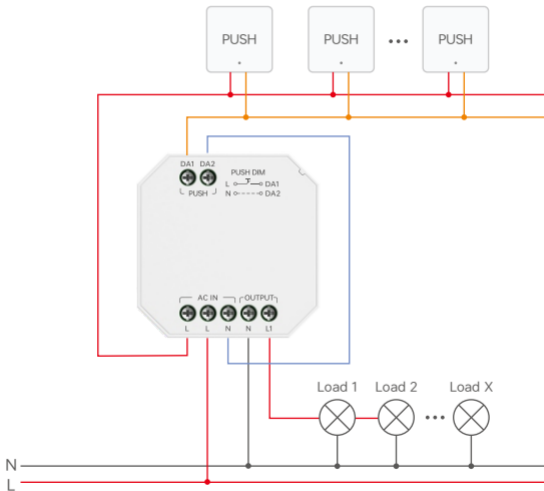
1. Wiring diagram for DALI signal input.



2. Wiring diagram for connecting a single PUSH switch.



3. Wiring diagram for connecting multiple PUSH switches.



Use The NFC Lighting APP

Scan the QR code below with your mobile phone and install the APP as prompted.
(Due to performance requirements, the required phone model is Apple: iPhone8 or above, and the operating system iOS13 or above; Android: NFC enabled models)



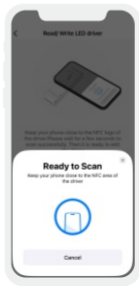
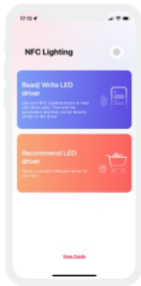
Scan the QR code to download the APP
IOS/Android



NFC identifier of the device
***When setting device parameters,
Perform this operation only when
the device is powered off.**

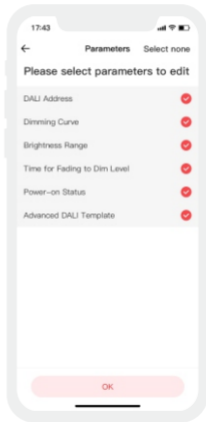
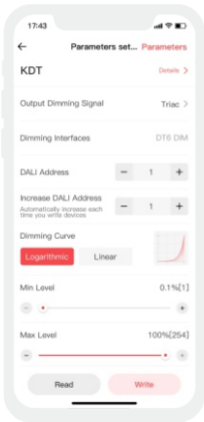
1. Read the device

Click "Read / Write LED driver" in the APP [home page], place the sensing area of the phone near the NFC identification point of the driver, and read the device parameters.



2. Edit parameters

Click "Parameter Management" to select and edit parameters such as DALI address, dimming curve, brightness range, dimming gradient time, power-on status, and DALI advanced template Settings.



Attention

- Product installation and commissioning should be done by a qualified professional.
- LTECH products are and not lightningproof non-waterproof(special models excepted). Please avoid the sun and rain. When installed outdoors, please ensure they are mounted in a water proof enclosure or in an area equipped with lightning protection devices.
- Good heat dissipation will prolong the working life of products. Please ensure good ventilation.
- Please check if the working voltage used complies with the parameter requirements of products.
- The diameter of wire used must be able to load the light fixtures you connect and ensure the firm wiring.
- Before you power on products, please make sure all the wiring is correct in case of incorrect connection that causes damage to light fixtures.
- If a fault occurs, please do not attempt to fix products by yourself. If you have any question, please contact your suppliers.

Warranty Agreement

- Warranty periods from the date of delivery: 5 years.
- Free repair or replacement services for quality problems are provided within warranty periods.

Warranty exclusions below:

Following conditions are not within the guarantee range of free repairing or replacement services:

- Beyond warranty periods.
 - Any artificial damage caused by high voltage, overload, or improper operations.
 - Products with severe physical damage.
 - Damage caused by natural disasters and force majeure.
 - Warranty labels and barcodes have been damaged.
 - No any contract signed by LTECH.
1. Repair or replacement provided is the only remedy for customers. LTECH is not liable for any incidental or consequential damage unless it is within the law.
 2. LTECH has the right to amend or adjust the terms of this warranty, and release in written form shall prevail.
- * This manual is subject to changes without further notice. Product functions depend on the goods. Please feel free to contact our official distributors if you have any question.

LTECH

DALI-可控硅模块

型号: KDT



使用说明书

www.ltech.cn

产品介绍

- DALI转可控硅协议：实现无缝扩展，适应多样化的照明控制需求。
- 采用最新DALI-2接口，全面支持DALI DT6设备，确保与最新技术的兼容性。
- 支持DALI控制和PUSH DIM开关控制，提供用户更灵活的操作体验。
- 短按即可控制负载开关，长按实现亮度调节，操作简便直观。
- 支持通过NFC设置调光输出信号，可选择前沿 Triac或后沿 ELV输出。
- 支持通过NFC配置DALI地址和设定负载的最低亮度值。
- 小巧体积，多规格适配：兼容欧规、美规和国标底盒，灵活安装，适用于多种场景。

技术参数

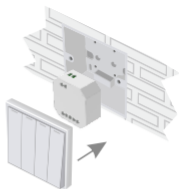
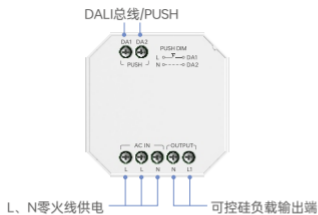
产品型号	KDT
接口协议	DALI-2 DT6
工作电压	100-240V~, 50/60Hz
输入信号	DALI
输出信号	Triac/ELV
负载参数	白炽灯或高压卤素灯: Max.400W@220Vac, Max.200W@110Vac。 可调光LED: Max.200W@220Vac, Max.100W@110Vac。
负载浪涌电流	Max.60A
工作温度	-20°C~50°C
产品尺寸	L45×W45.5×H20.5(mm)
产品重量	30g



RoHS

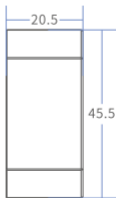
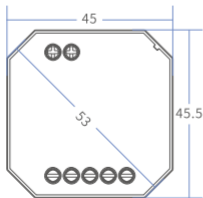


产品图示



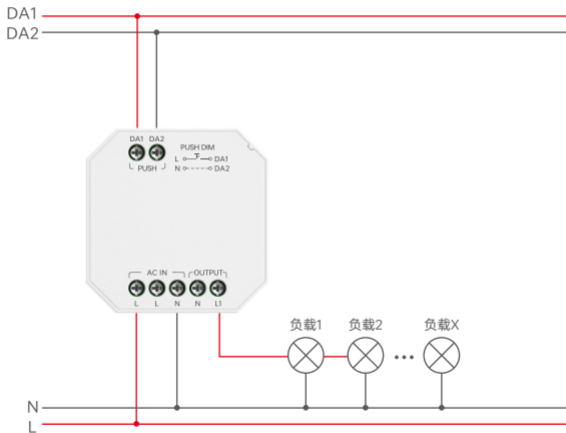
产品尺寸

单位: mm

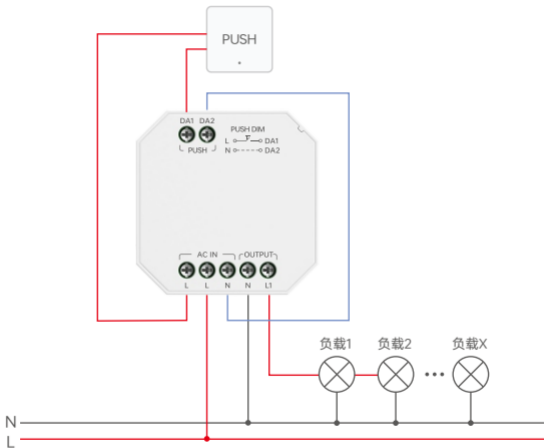


接线应用

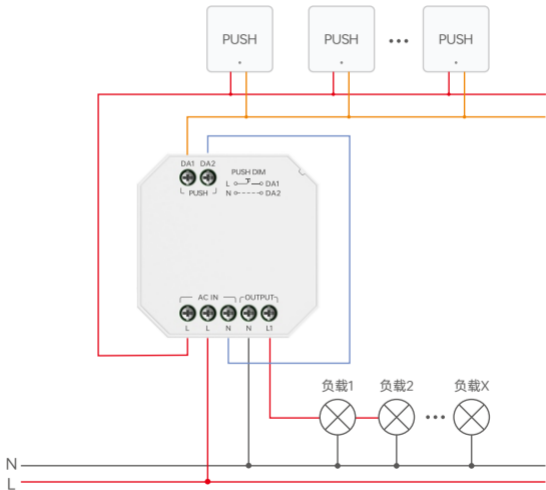
1.接入DALI信号接线应用图



2.接一个PUSH开关接线应用图



3.接多个PUSH开关接线应用图



搭配NFC Lighting APP使用

通过手机扫描下方二维码，按提示完成APP安装。(因性能需求，要求手机型号苹果：iPhone8及以上、且操作系统IOS13 及以上；安卓：具备NFC功能机型)



扫码下载APP
IOS/Android



设备NFC标识点

***设置设备参数时，
必须在设备断电情况下进行操作。**

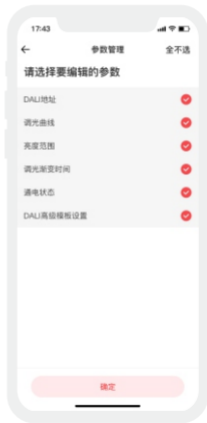
1. 读取设备

在APP【首页】点击“读/写智能电源”将手机感应区域靠近驱动器NFC标识点，读取设备参数。



2. 编辑参数

点击“参数管理”可选择编辑DALI地址、调光曲线、亮度范围、调光渐变时间、通电状态及DALI高级模板设置等参数。



注意事项

- 请由具有专业资格的人员进行调试安装；
- 雷特产品（专有型号除外）不能防水防雷，需避免日晒雨淋，如安装在户外，请用防水箱和防雷装置；
- 请检查使用的工作电压是否符合产品的参数要求；
- 通电调试前，应确保所有接线正确，以避免因接线错误而导致灯具损坏；
- 如果发生故障，请勿私自维修；如有疑问，请联系供应商；
- 请检查使用的工作电压是否符合产品的参数要求。

* 本说明书的内容如有变更，恕不另行通知。若内容与您使用的功能有所不同，则以实物为准。如有疑问，欢迎向我司授权的经销商咨询。

保修条例

- 自出厂之日起保修服务期为5年。
- 在保修服务期内出现产品质量问题雷特科技将给予免费修理或更换服务。

非保修条例：

属下列情况不在免费保修或更换服务范围之内：

- 已经超出保修期限的；
- 过高电压、超负载、操作不当等人为造成的损坏；
- 产品外形严重损坏或变形；
- 自然灾害以及人力不可抗拒原因造成的损坏；
- 产品保修标签和产品唯一条形码损坏；
- 无雷特科技签订的合同或发票凭证。

1. 修理或更换是雷特科技对客户唯一补救措施。雷特科技不承担任何附带引起的损害赔偿
任，除非在适用法律范围之内。
2. 雷特科技享有修正或调整本保修条款的权利，并以书面形式发布为准。