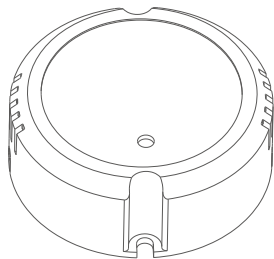


Wireless Module

Model: EBOX-DMX



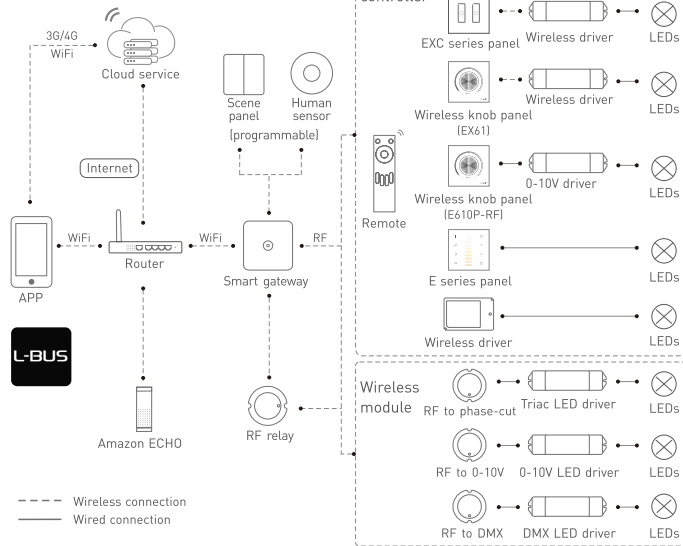



warranty
5 years



System Diagram

L-BUS



Product Introduction

EBOX-DMX wireless module applies L-BUS wireless communication protocol and converts it to DMX512 through RF wireless communication technology, which is used with the LTECH DMX512 LED dimmable driver and compatible with all DMX products in the market. Rely on L-BUS wireless technology application, it has removed the complex cabling procedure and expensive technical commissioning fee, to make it become more easier for new or retrofit installations.

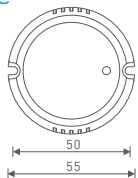
Technical Specs

EBOX-DMX Wireless Module

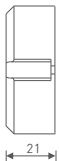
Input Voltage:	5~24Vdc	Working Temp.:	-30°C~55°C
Output:	DMX512	Dimensions:	L55×W55×H21(mm)
Wireless Signal:	RF 2.4GHz	Package Size:	L65×W65×H26(mm)
DMX Channel:	1~16	Weight(G.W.):	70g

Product Size

Unit: mm

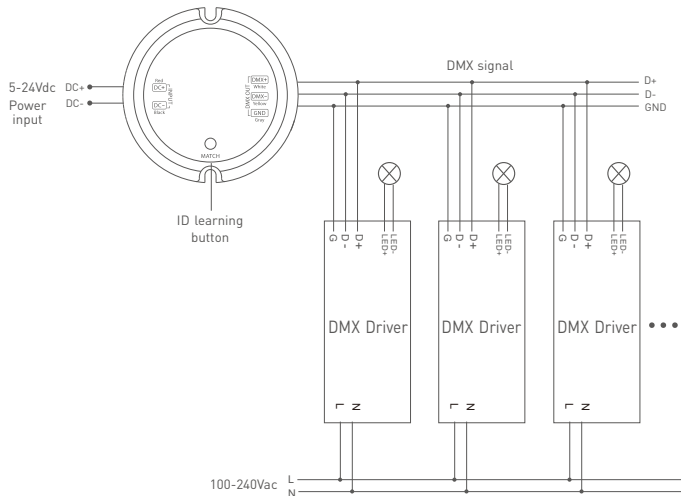


3



Wiring Diagram

Input wire: 18AWG / 0.75^{sq} Output wire: 20AWG / 0.5^{sq}



4

Match Code (ID learning button method)

Step 1:

Short press "ID learning button" on EBOX-DMX, the lamps flicker, please complete step 2 within 15 seconds.



Step 2:

Match code with F series remote:

Single zone remote:
Long press On/Off key on the remote.



Multi-zone remote:
Long press the matching zone's ON & OFF keys simultaneously.

Match code with EX series panel:

Single zone panel:
Long press On/Off key, then press any key.

Multi-zone panel:
Long press On/Off key, then press the matching zone key.



Match code with RC4-RF-B remote:

Long press the matching zone's On key on RC4-RF-B.



Match code with 106/108 gateway:

Turn on APP, enter "zone set" interface, click the right top "MATCH" key, then follow the prompts.



* Above operation only workable when panel is power-on.

Step 3:

The lamps of EBOX-DMX flicker quickly and then stop flicking, match code successfully.

Match Code (power on method)

Step 1:

EBOX-DMX power off.



Step 2:

Match code with F series remote:

Single zone remote: Hold down On/Off key, meanwhile EBOX-DMX power on .

Multi-zone remote: Hold down the matching zone's On & Off keys simultaneously, meanwhile EBOX-DMX power on .



Match code with EX series panel:

A. Single zone panel: Long press ON/OFF key until all indicator lights flicking.

Multi-zone panel: Long press ON/OFF key until all zone's indicator lights flicking.



B. EBOX-DMX power on, the lamps flicker slowly, please complete step c within 15s.

C. Single zone panel: press any key on panel.
Multi-zone panel: press the matching zone key.

* Above operation only workable when panel is power-on.

Match code with RC4-RF-B remote:

Hold down the matching zone's On key of RC4-RF-B , meanwhile EBOX-TD power on .



Match code with 106/108 gateway:

Turn on APP, enter "zone set" interface, click the right top "MATCH" key, then follow the prompts.



Step 3:

The lamps of EBOX-DMX flicker quickly and then stop flicking, match code successfully.

Wireless Module Clear Code

Long press ID learning button on EBOX-DMX for 6 seconds , the lamp of EBOX-DMX flickeres, then release the button and successfully clear code.



DMX Channel Output Table

Single zone control:

Mode DMX address	DIM	CT	CT2	RGB	RGBW
1	W	C	BRT	R	R
2	-	W	CT	G	G
3	-	-	-	B	B
4	-	-	-	-	W
5	-	-	-	-	-
6	-	-	-	-	-
7	-	-	-	-	-
8	-	-	-	-	-
9	-	-	-	-	-
10	-	-	-	-	-
11	-	-	-	-	-
12	-	-	-	-	-
13	-	-	-	-	-
14	-	-	-	-	-
15	-	-	-	-	-
16	-	-	-	-	-

Multi-zone control:

Mode DMX address	DIM	CT	CT2	RGB	RGBW
1	W1	C1	BRT1	R1	R1
2	W2	W1	CT1	G1	G1
3	W3	C2	BRT2	B1	B1
4	W4	W2	CT2	R2	W1
5	-	C3	BRT3	G2	R2
6	-	W3	CT3	B2	G2
7	-	C4	BRT4	R3	B2
8	-	W4	CT4	G3	W2
9	-	-	-	B3	R3
10	-	-	-	R4	G3
11	-	-	-	G4	B3
12	-	-	-	B4	W3
13	-	-	-	-	R4
14	-	-	-	-	G4
15	-	-	-	-	B4
16	-	-	-	-	W4

Wireless Module Color Temperature Switch

CT mode and CT2 mode switch to each other:

Long press ID learning button on EBOX-DMX for 10 seconds, the lamp of EBOX-DMX puts out, then release the button and switch successfully.

Warranty Agreement

- We provide lifelong technical assistance with this product:
 - A 5-year warranty is given from the date of purchase. The warranty is for free repair or replacement if cover manufacturing faults only.
 - For faults beyond the 5-year warranty, we reserve the right to charge for time and parts.
- Warranty exclusions below:
 - Any man-made damages caused from improper operation, or connecting to excess voltage and overloading.
 - The product appears to have excessive physical damage.
 - Damage due to natural disasters and force majeure.
 - Warranty label, fragile label and unique barcode label have been damaged.
 - The product has been replaced by a brand new product.
- Repair or replacement as provided under this warranty is the exclusive remedy to the customer. LTECH shall not be liable for any incidental or consequential damages for breach of any stipulation in this warranty.
- Any amendment or adjustment to this warranty must be approved in writing by LTECH only.

* No further notice if any changes in the manual.Product function depends on the goods.
Please feel free to contact our official distributor if any question.