

- Dimming interface: DALI, Push Dim.
- Output Signal: 0-10V.
- 4 DALI addressable output channels.
- Built-in relay for ON/OFF control of LED driver.
- Dimming range: 0~100%.
- Full protective plastic housing.
- DALI bus standard: IEC62386-101,102, 207.
- Compliant with Safety Extra Low Voltage standard.
- Suitable for indoor environments.



Main Characteristics

Dimming Interface:	DALI (IEC62386), Push Dim
Output Signal:	0-10V × 4CH
Dimming Range:	0~100%
Output Signal Logic:	High potential
Input Voltage Range:	100-240Vac ± 10%
Frequency:	50/60Hz
AC Current(typ.):	0.02A
Inrush Current(typ.):	Cold start 25A@230Vac

Leakage Current:	<0.5mA/240Vac
Power Consumption:	115Vac@0.8W 230Vac@1.0W
Relay Switch:	240Vac/8A
Working Temperature:	ta: -30°C ~ 55°C tc: 85°C
Working Humidity:	20 ~ 95%RH, non-condensing
Storage Temp., Humidity:	-40 ~ 80°C, 10~95%RH
Vibration:	10~500Hz, 2G 12min./1cycle, period for 72min. each along X, Y, Z axes.

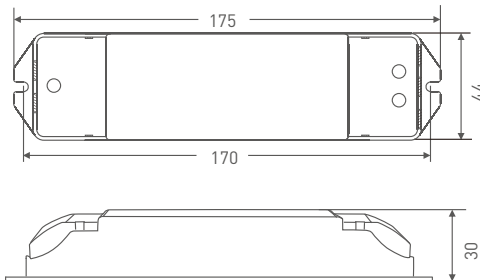
Others

Dimension:	175×44×30mm (L×W×H)
Packing:	178×48×33mm (L×W×H)
Weight(N.W.):	120g±10g

Safety & EMC

Withstand Voltage:	I/P-O/P: 3750Vac
Isolation Resistance:	I/P-O/P: 100MΩ/500VDC/25°C/70%RH
Safety Standards:	IEC/EN61347-1, IEC/EN61347-2-13

Dimensions



Push Dimming



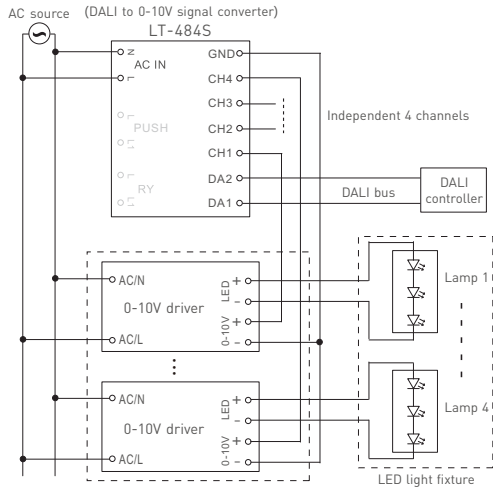
Reset Switch

- On/off control: Short press.
- Stepless dimming: Long press.
- With every other long press, the light level goes to the opposite direction.
- Dimming memory: Brightness will be the same as previously adjusted when turning off and on again.

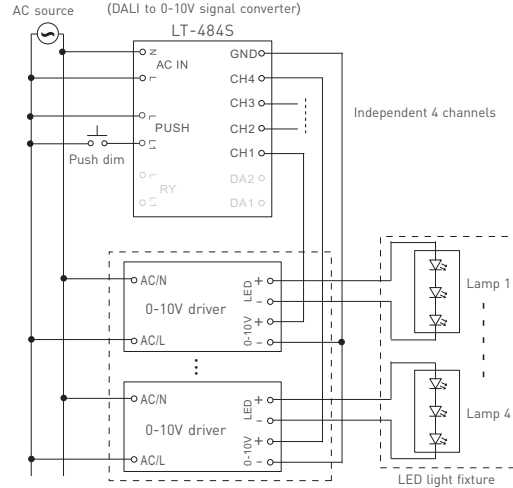
Configuration Diagram



DALI Connection

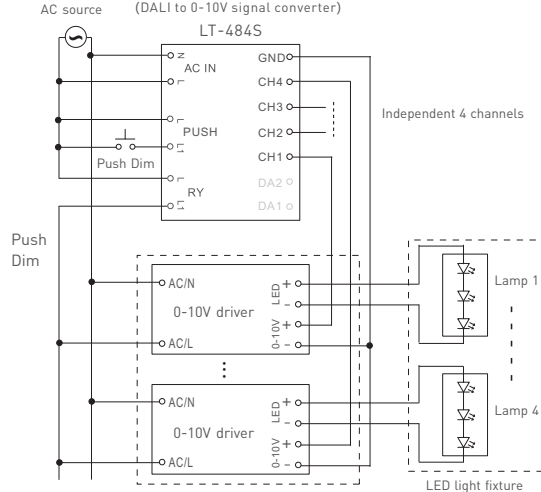
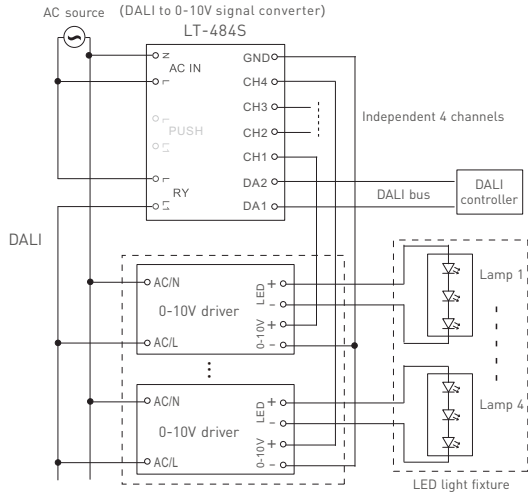


Push Dim Connection



- * Please make sure the maximum voltage drop between DALI controller and LT-484S should not be higher than 2V. (Maximum cable length for 1.5mm² cables is 300m)
- * Each channel is individually addressable, light intensity of LED driver connected to the same channel will be the same; the maximum allowable voltage drop between the LT-484S and LED driver should not be higher than 0.5V; Maximum cable length for 1.5mm² cable is 300m.

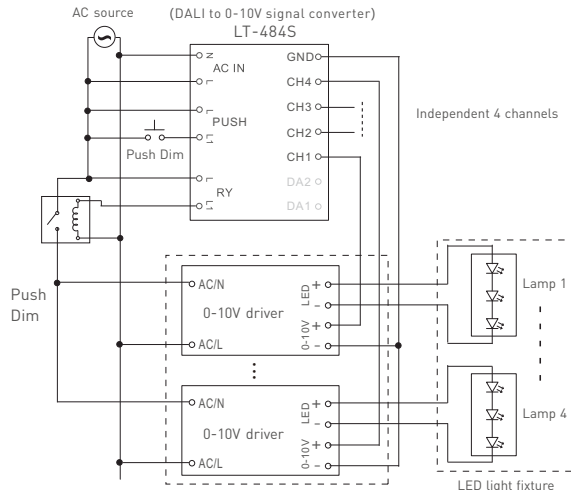
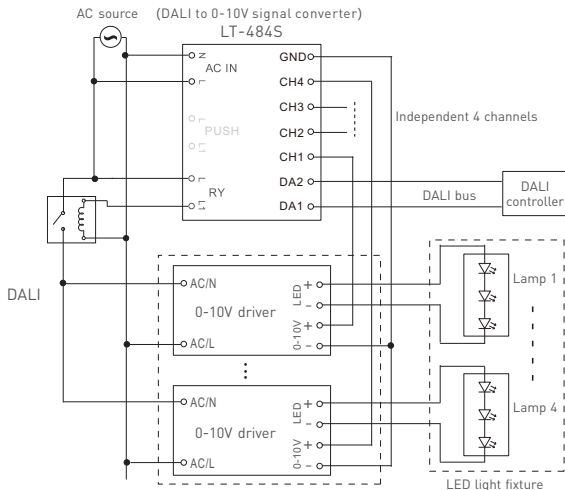
Built-in Relay Connection



- * LT-484S is equipped with a relay that can be used to turn ON/OFF LED driver. The relay is in the closed position when the CH1 generates dimming signal, the relay is in the open position when there is no output signal on the CH1.
- * The Max. loaded of built-in relay: 8A resistive current loaded or less than 50A inrush current loaded. Over-loaded of relay is out of warranty.

External Relay Connection

- * An additional magnetic switch is needed when the total input current of the LED driver is higher than 8A or inrush current is greater than 50A, please refer to the figure.



- * Note: Light intensity of LEDs in the same group may be decreased when one of the LED driver is AC OFF.
- * No further notice if any changes in the manual. Product function depends on the goods. Please feel free to contact our official distributor if any question.